



Illustrated Parts List

Model Series

94300

TYPE NUMBERS
0100 through 0128.

TABLE OF CONTENTS

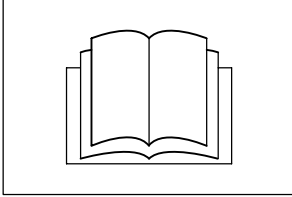
Air Cleaner	6
Blower Housing/Shrouds	7
Camshaft	2
Carburetor	4
Carburetor Overhaul Kit	4
Controls	6
Crankcase Cover/Sump	3
Crankshaft	2
Cylinder	2
Cylinder Head	2
Exhaust System	6
Flywheel	7
Fuel Supply	5
Gasket Set - Engine	3
Gasket Set - Valve	3
Gear Reduction	7
Governor Spring	6
Ignition	6
Lubrication	5
Operator's Manual	2
Piston/Rings/Connecting Rod	2
Rewind Starter	7
Warning Label	2

PRINTED IN U.S.A.

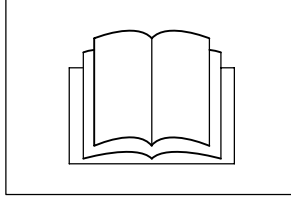


COPYRIGHT by BRIGGS & STRATTON CORPORATION
All rights reserved. No part of this material may be reproduced or transmitted,
in any form or by any means, electronic or mechanical, including photocopying,
recording or by any information storage and retrieval system, without permission
in writing from Briggs & Stratton Corporation.

1058 OPERATOR'S MANUAL



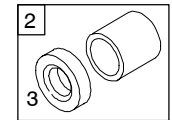
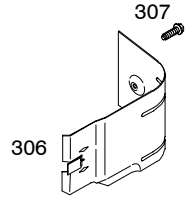
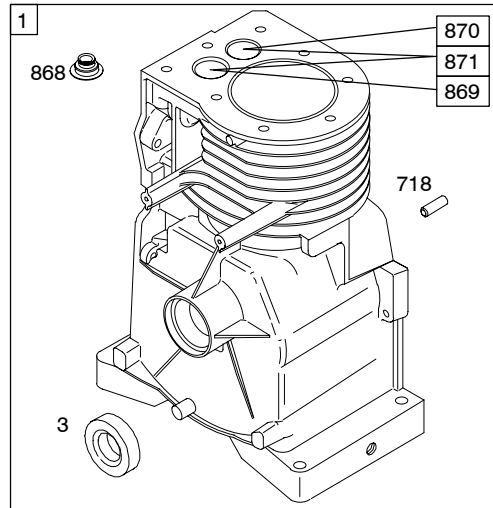
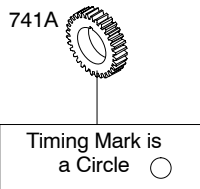
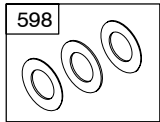
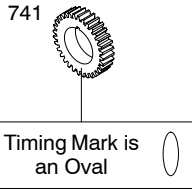
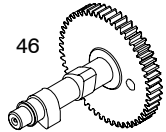
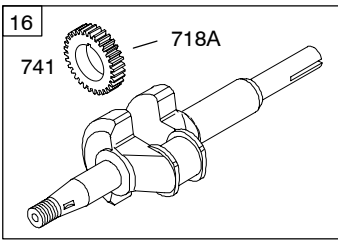
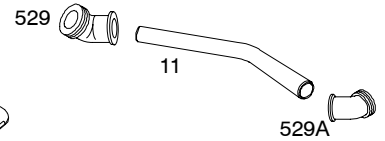
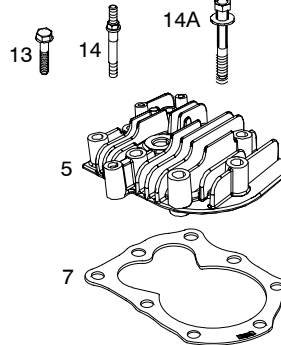
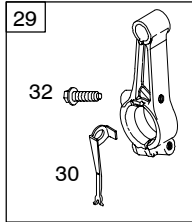
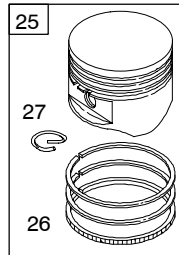
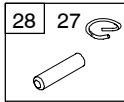
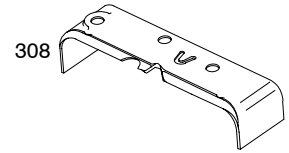
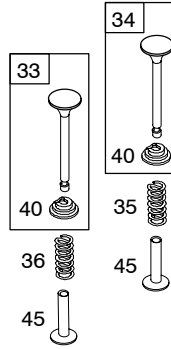
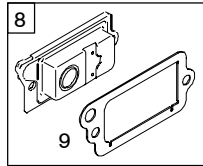
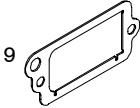
1330 REPAIR MANUAL



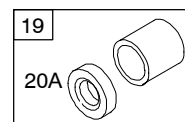
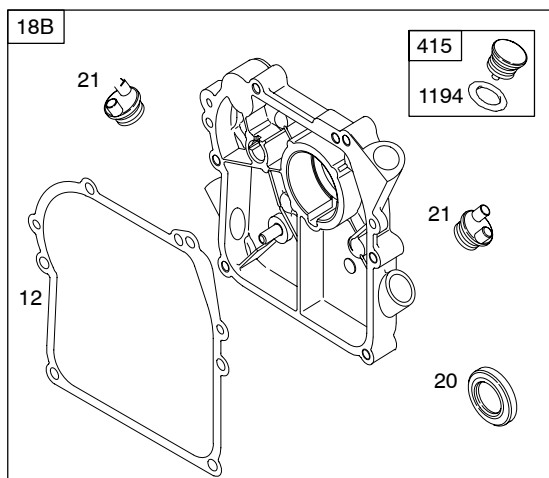
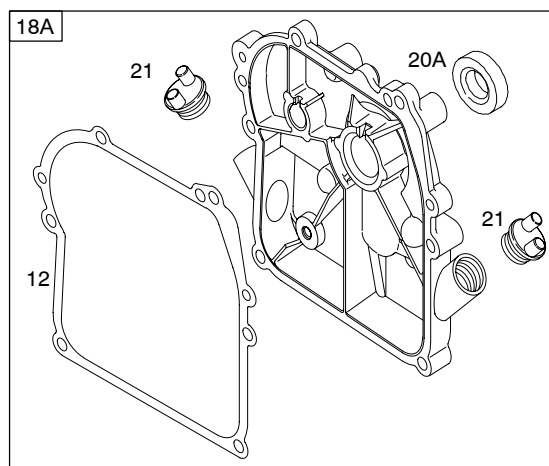
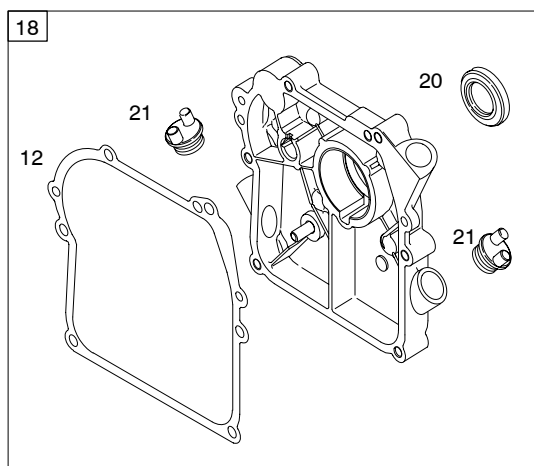
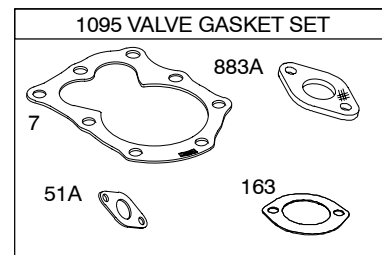
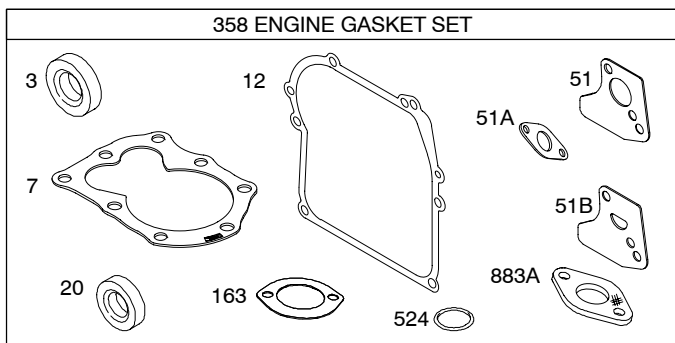
1319 WARNING LABEL

WARNING	
	Read and follow Operating Instructions before running engine.
	Gasoline is flammable. Allow engine to cool at least 2 minutes before refueling.
	Engines emit carbon monoxide, DO NOT run in enclosed area.
	Muffler area temperature may exceed 150°F. Do not touch hot parts.

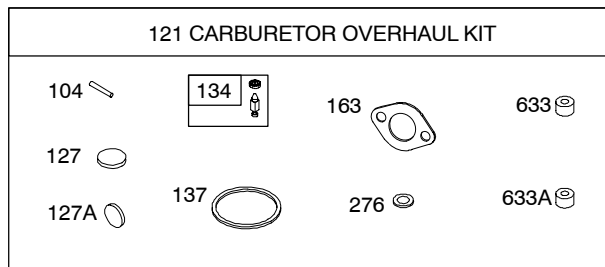
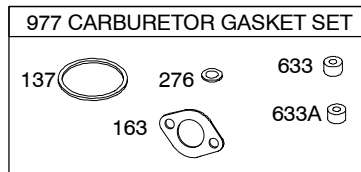
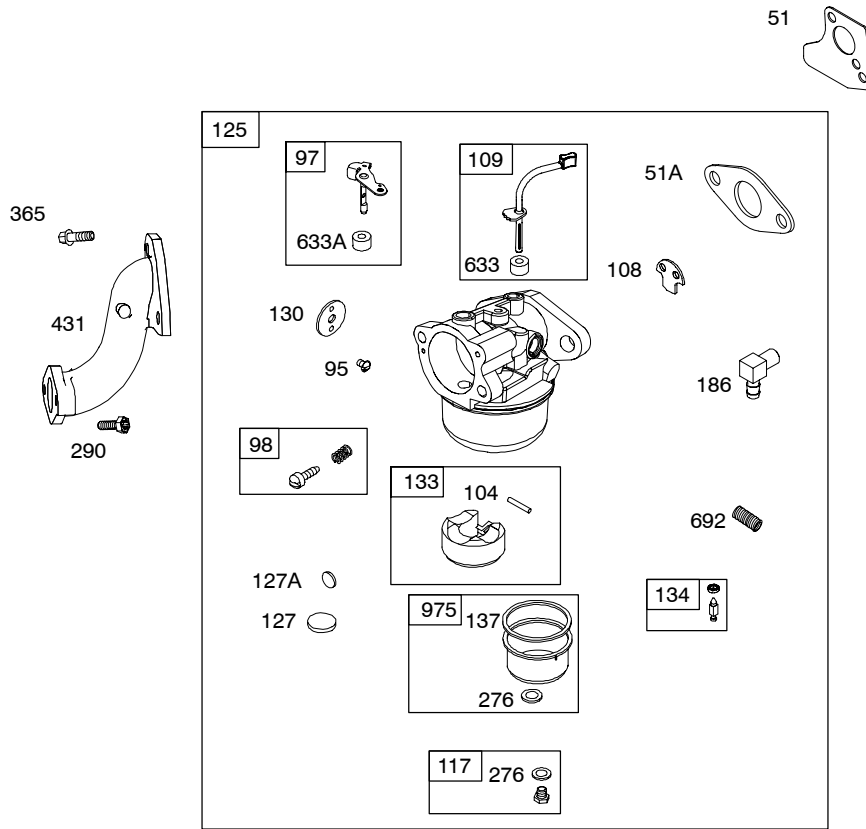
REQUIRED when replacing parts with warning labels affixed.



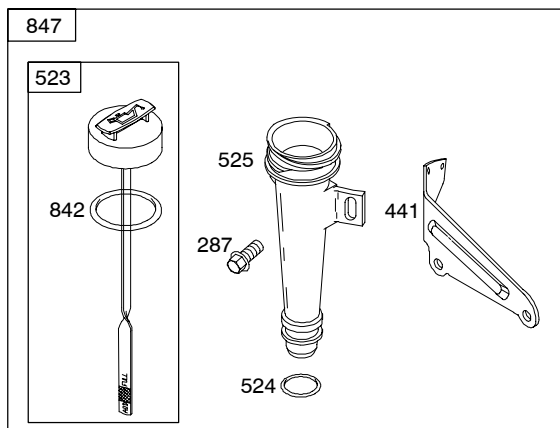
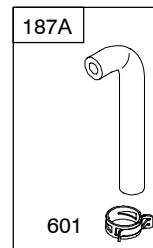
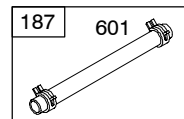
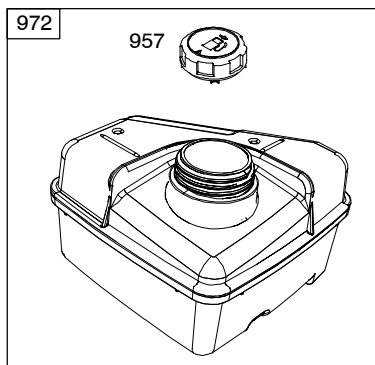
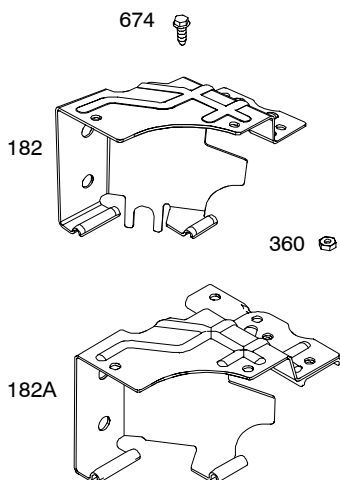
Illustrations cover a range of engines. Parts shown without corresponding text may not be used on your specific engine.
 3276-2 Assemblies include all parts shown in frames. 03/04/2008



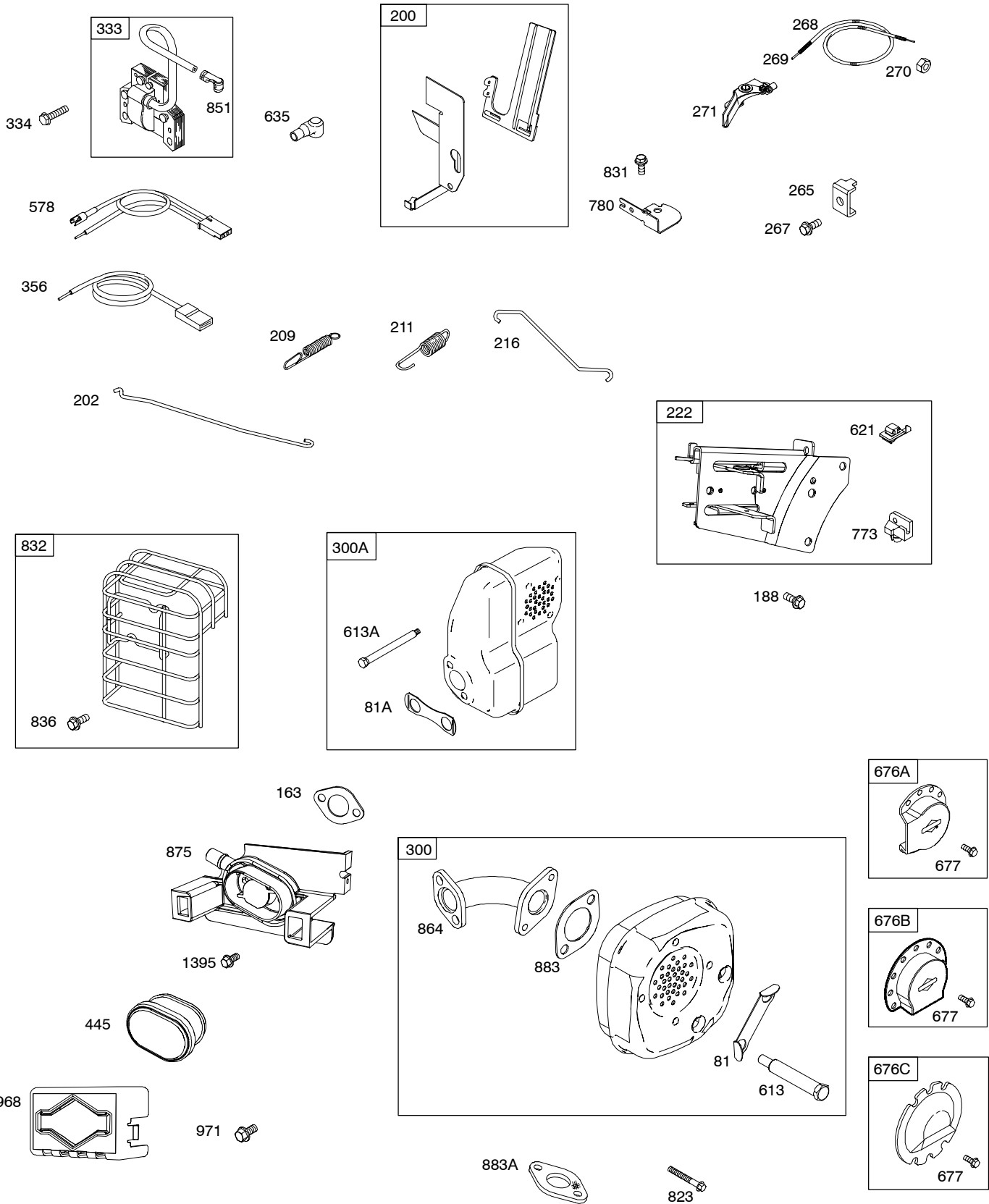
Illustrations cover a range of engines. Parts shown without corresponding text may not be used on your specific engine.
 3276-3 Assemblies include all parts shown in frames.



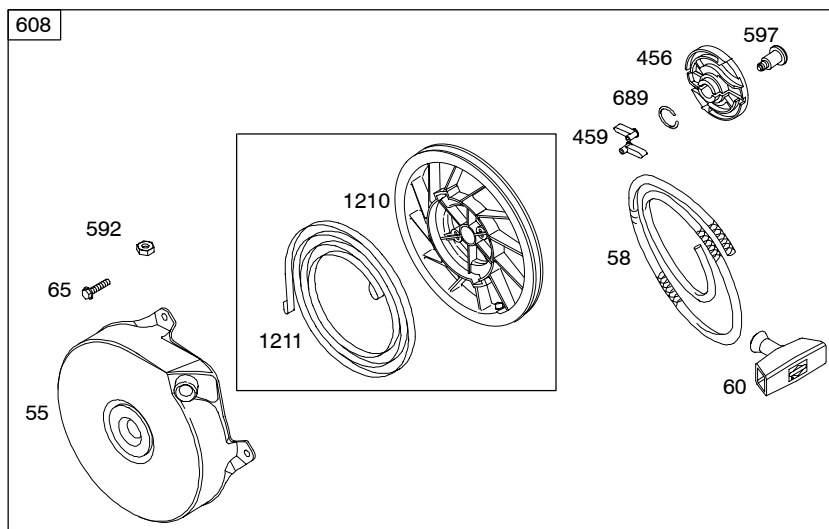
Illustrations cover a range of engines. Parts shown without corresponding text may not be used on your specific engine.
3276-4 Assemblies include all parts shown in frames.



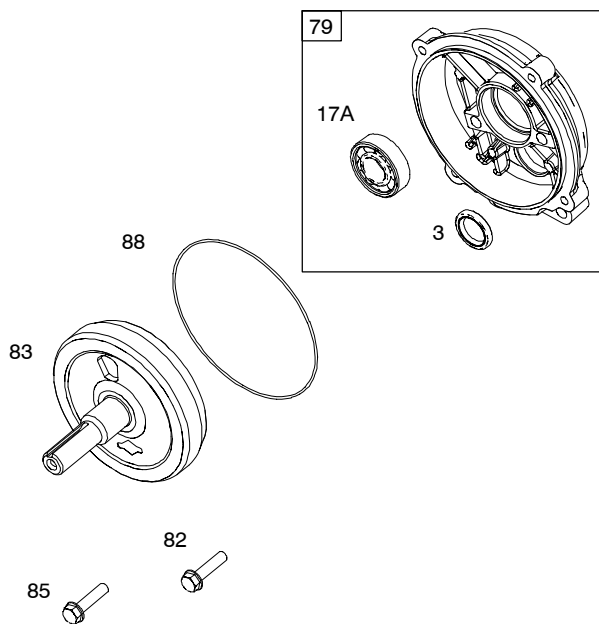
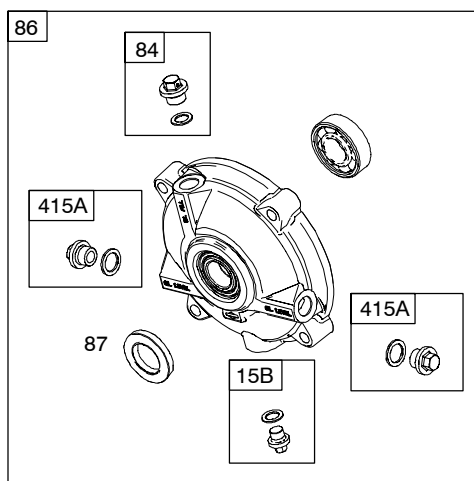
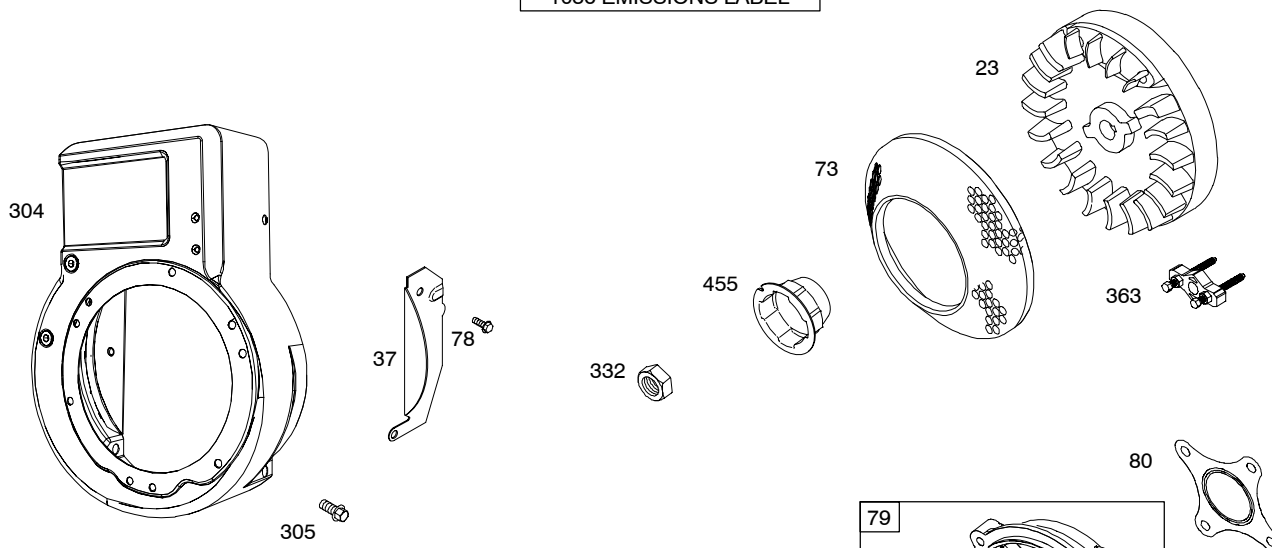
Illustrations cover a range of engines. Parts shown without corresponding text may not be used on your specific engine.



Illustrations cover a range of engines. Parts shown without corresponding text may not be used on your specific engine.
 3276-6 Assemblies include all parts shown in frames. 03/04/2008



1036 EMISSIONS LABEL



Illustrations cover a range of engines. Parts shown without corresponding text may not be used on your specific engine.
 3276-7 Assemblies include all parts shown in frames. 03/04/2008

94300

REF. NO.	PART NO.	DESCRIPTION	REF. NO.	PART NO.	DESCRIPTION	REF. NO.	PART NO.	DESCRIPTION
1	791358	Cylinder Assembly (Used After Code Date 07090300). ----- Note ----- 494549 Cylinder Assembly (Used Before Code Date 07090400).	15	691686	Plug-Oil Drain	18B	792232	Cover-Crankcase (Ball Bearing Cover) Used on Type No(s). 0114, 0115, 0118, 0119, 0124.
2	399269	Kit-Bushing/Seal (Magneto Side)	15A	691682	Plug-Oil Drain	19	399269	Kit-Bushing/Seal (PTO Side)
3	★299819S	Seal-Oil (Magneto Side)	15B	792750	Plug-Oil Drain (Gear Cover)	20	692020	Seal-Oil (PTO Side)
5	790169	Head-Cylinder	16	793152	Crankshaft Used on Type No(s). 0100. ----- Note ----- 792884 Crankshaft Used on Type No(s). 0116, 0121, 0122.	20A	★299819S	Seal-Oil (PTO Side)
7	★Δ698717	Gasket-Cylinder Head			792229 Crankshaft Used on Type No(s). 0114, 0115, 0118, 0124.	21	281658S	Cap-Oil Fill
8	791779	Breather Assembly (Used After Code Date 05102400). ----- Note ----- 699448 Breather Assembly (Used Before Code Date 05102500).			792228 Crankshaft Used on Type No(s). 0119. 792226 Crankshaft Used on Type No(s). 0127. 793153 Crankshaft Used on Type No(s). 0117.	22	691129	Screw (Crankcase Cover/Sump) (1 1/4" Long) ----- Note ----- 693732 Screw (Crankcase Cover/Sump) (7/8" Long) Used on Type No(s). 0116, 0121, 0122.
9	695890	Gasket-Breather			793151 Crankshaft Used on Type No(s). 0111, 0128.	23	795695	Flywheel (Used After Code Date 08012900). ----- Note ----- 690843 Flywheel (Used Before Code Date 08013000). 791119 Flywheel Used on Type No(s). 0111, 0117, 0128.
10	691666	Screw (Breather Assembly)	17	690824	Bearing-Ball	24	222698S	Key-Flywheel
11	790162	Tube-Breather	17A	99158	Bearing-Ball (Gear Reduction Case)			
12	★692218	Gasket-Crankcase (Standard) (.015" Thick) ----- Note ----- ★270895 Gasket-Crankcase (.005" Thick) ★270896 Gasket-Crankcase (.009" Thick)	18	497502	Cover-Crankcase Used on Type No(s). 0127.			
13	691640	Screw (Cylinder Head)	18A	699406	Cover-Crankcase Used on Type No(s). 0100, 0111, 0128. ----- Note ----- 699096 Cover-Crankcase Used on Type No(s). 0117. 496679 Cover-Crankcase Used on Type No(s). 0116, 0121, 0122.			
14	690361	Stud (Cylinder Head)						
14A	792660	Stud (Cylinder Head)						

★ Engine Gasket Set-Reference 358
● Carburetor Overhaul Kit-Reference 121

◆ Carburetor Gasket Set-Reference 977
Δ Valve Gasket Set-Reference 1095

Illustrations cover a range of engines. Parts shown without corresponding text may not be used on your specific engine.

REF. NO.	PART NO.	DESCRIPTION	REF. NO.	PART NO.	DESCRIPTION	REF. NO.	PART NO.	DESCRIPTION
25	795691	Piston Assembly (Standard) (Used After Code Date 08021200). ----- Note ----- 795131 Piston Assembly (Standard) (Used After Code Date 07072900 and Before Code Date 08021300). 790908 Piston Assembly (Standard) (Used Before Code Date 07073000). 795689 Piston Assembly (.020" Oversize) (Used After Code Date 08021200). 795133 Piston Assembly (.020" Oversize) (Used After Code Date 07072900 and Before Code Date 08021300). 792532 Piston Assembly (.020" Oversize) (Used Before Code Date 07073000 and After Code Date 05051800).	26	795690	Ring Set (Standard) (Used After Code Date 08021200). ----- Note ----- 795132 Ring Set (Standard) (Used After Code Date 07072900 and Before Code Date 08021300). 790909 Ring Set (Standard) (Used Before Code Date 07073000 and After Code Date 05051800). 695169 Ring Set (Standard) (Used Before Code Date 05051900). 795688 Ring Set (.020" Oversize) (Used After Code Date 08021200). 795134 Ring Set (.020" Oversize) (Used After Code Date 07072900 and Before Code Date 08021300). 792533 Ring Set (.020" Oversize) (Used Before Code Date 07073000 and After Code Date 05051800). 695172 Ring Set (.020" Oversize) (Used Before Code Date 05051900).	29	699655	Rod-Connecting (Standard)
			27	691588	Lock-Piston Pin	30	691719	Dipper-Connecting Rod
			28	699659	Pin-Piston (Standard) (Used After Code Date 05051800). ----- Note ----- 298909 Pin-Piston (Standard) (Used Before Code Date 05051900). 298908 Pin-Piston (.005" Oversize) (Used Before Code Date 05051900).	32	691664	Screw (Connecting Rod)
						33	296676	Valve-Exhaust
						34	296677	Valve-Intake
						35	690520	Spring-Valve (Intake)
						36	690520	Spring-Valve (Exhaust)
						37	690463	Guard-Flywheel
						40	692194	Retainer-Valve
						45	691762	Tappet-Valve
						46	691998	Camshaft
						51	★273113S	Gasket-Intake
						51A	★△692283	Gasket-Intake
						51B	★793883	Gasket-Intake
						55	692144	Housing-Rewind Starter
						58	691921	Rope-Starter
						60	691915	Grip-Starter Rope
						65	690837	Screw (Rewind Starter)
						73	699850	Screen-Rotating
						78	690364	Screw (Flywheel Guard)
						79	792746	Case-Gear Reduction Used on Type No(s). 0116, 0121, 0122.
						80	792755	Gasket-Gear Case Used on Type No(s). 0116, 0121, 0122.
						81	691729	Lock-Muffler Screw
						81A	691179	Lock-Muffler Screw Used on Type No(s). 0114, 0115, 0118, 0119, 0121, 0122, 0124, 0128.
						82	792753	Screw (Gear Reduction Case) (1 1/3" Long) Used on Type No(s). 0116, 0121, 0122.
						83	792756	Shaft-Auxiliary Drive (Gear Reduction Case) Used on Type No(s). 0116, 0121, 0122.
						84	792759	Plug-Breather Used on Type No(s). 0116, 0121, 0122.

★ Engine Gasket Set-Reference 358
● Carburetor Overhaul Kit-Reference 121

◆ Carburetor Gasket Set-Reference 977
△ Valve Gasket Set-Reference 1095

Illustrations cover a range of engines. Parts shown without corresponding text may not be used on your specific engine.
3276-9 Assemblies include all parts shown in frames. 03/04/2008

94300

REF. NO.	PART NO.	DESCRIPTION	REF. NO.	PART NO.	DESCRIPTION	REF. NO.	PART NO.	DESCRIPTION
85	690711	Screw (Gear Cover to Gear Reduction Case) (1 1/2" Long) Used on Type No(s). 0116, 0121, 0122.	200	795470	Blade-Governor (Used After Code Date 07110400). ----- Note ----- 791125 Blade-Governor (Used Before Code Date 07110500).	304	790165	Housing-Blower
86	792748	Cover-Gear Used on Type No(s). 0116, 0121, 0122.	202	790168	Link-Mechanical Governor	305	692198	Screw (Blower Housing)
87	792752	Seal-Gear Reduction Used on Type No(s). 0116, 0121, 0122.	209	790355	Spring-Governor Used on Type No(s). 0100, 0111, 0116, 0121, 0122, 0127, 0128. ----- Note ----- 790309 Spring-Governor Used on Type No(s). 0114, 0118, 0119, 0124.	306	690461	Shield-Cylinder
88	792760	Gasket-Gear Reduction Cover Used on Type No(s). 0116, 0121, 0122.	211	790308	Spring-Governed Idle	307	691660	Screw (Cylinder Shield)
95	691636	Screw (Throttle Valve)	216	790271	Link-Choke	308	690462	Cover-Cylinder Head
97	790270	Shaft-Throttle	222	790164	Bracket-Control	332	690662	Nut (Flywheel)
98	398185	Kit-Idle Speed	265	691024	Clamp-Casing	333	793281	Armature-Magneto
104	691242	Pin-Float Hinge	267	692577	Screw (Casing Clamp)	334	691061	Screw (Magneto Armature)
108	692567	Valve-Choke	268	691025	Casing-Control Wire (Cut To Required Length)	337	802592S	Plug-Spark
109	790307	Shaft-Choke	269	691026	Wire-Control (Cut To Required Length)	356	692390	Wire-Stop
117	697355	Jet-Main (Standard)	270	691027	Nut (Control Wire Casing)	358	496865	Gasket Set-Engine
121	695157	Kit-Carburetor Overhaul	271	691028	Lever-Control	360	691105	Nut (Fuel Tank Bracket)
125	795533	Carburetor	276	691716	Washer-Sealing	363	19069	Puller-Flywheel
127	691739	Plug-Welch (5/16" Diameter)	287	695733	Screw (Dipstick Tube) (7/16" Long)	365	699816	Screw (Carburetor)
127A	694468	Plug-Welch (3/8" Diameter)	290	690953	Screw (Intake Elbow)	383	89838S	Wrench-Spark Plug
130	691181	Valve-Throttle	300	790163	Muffler Used on Type No(s). 0100, 0111, 0116, 0117, 0127.	415	691363	Plug
133	398187	Float-Carburetor	300A	792661	Muffler Used on Type No(s). 0114, 0115, 0118, 0119, 0121, 0122, 0124, 0128.	415A	792749	Plug (Gear Cover)
134	398188	Kit-Needle/Seat				431	790170	Elbow-Intake
137	693981	Gasket-Float Bowl				441	690484	Bracket-Oil Fill
163	272948S	Gasket-Air Cleaner				445	790166	Filter-Air Cleaner Cartridge
170	691120	Stud (Crankcase Cover)				455	691236	Cup-Flywheel
182	790174	Bracket-Fuel Tank				456	692299	Plate-Pawl Friction
182A	792663	Bracket-Fuel Tank Used on Type No(s). 0114, 0115, 0118, 0119, 0121, 0122, 0124, 0128.				459	281505S	Pawl-Ratchet
186	692317	Connector-Hose				523	499621	Dipstick
187	791766	Line-Fuel (Cut To Required Length)				524	691876	Seal-Dipstick Tube
187A	792662	Line-Fuel (Formed) (Cut to Required Length)				525	694426	Tube-Dipstick
188	691637	Screw (Control Bracket)				529	692189	Grommet (90 Degree)
						529A	692187	Grommet (45 Degree)
						578	696031	Wire Assembly
						592	690800	Nut (Rewind Starter)
						597	691696	Screw (Pawl Friction Plate)
						598	791387	Shim-Endplay (For Pump Applications Only) (Used After Code Date 05013000).
						601	791850	Clamp-Hose
						608	690101	Starter-Rewind
						613	691413	Screw (Muffler)

★ Engine Gasket Set-Reference 358
● Carburetor Overhaul Kit-Reference 121

◆ Carburetor Gasket Set-Reference 977
△ Valve Gasket Set-Reference 1095

Illustrations cover a range of engines. Parts shown without corresponding text may not be used on your specific engine.

REF. NO.	PART NO.	DESCRIPTION	REF. NO.	PART NO.	DESCRIPTION	REF. NO.	PART NO.	DESCRIPTION
613A	691340	Screw (Muffler) Used on Type No(s). 0114, 0115, 0118, 0119, 0121, 0122, 0124, 0128.	741	791124	Gear-Timing (Timing Mark is an Oval{0}) (Used After Code Date 05013000).	875	790171	Base-Air Cleaner
621	692310	Switch-Stop	741A	691805	Gear-Timing (Timing Mark is a Circle {O}) (Used Before Code Date 05013100).	883	691881	Gasket-Exhaust (Between Adapter and Muffler)
633	693867	Seal-Choke/Throttle Shaft (Choke)	773	697325	Retainer	883A	★△691880	Gasket-Exhaust (Between Adapter and Cylinder)
633A	691321	Seal-Choke/Throttle Shaft (Throttle)	780	691211	Anchor-Spring	957	493988S	Cap-Fuel Tank
635	66538S	Boot-Spark Plug	823	699554	Screw (Muffler Adapter)	968	790172	Cover-Air Cleaner
674	690708	Screw (Fuel Tank Bracket) (Bracket to Tank)	831	691099	Screw (Spring Anchor)	971	693675	Screw (Air Cleaner Base) (Remote Choke)
676A	494423	Deflector-Muffler Used on Type No(s). 0100, 0111. ----- Note ----- 393757 Deflector- Muffler Used on Type No(s). 0116, 0117, 0127.	832	792665	Guard-Muffler Used on Type No(s). 0114, 0119.	972	790173	Tank-Fuel ----- Note ----- 792664 Tank-Fuel Used on Type No(s). 0114, 0115, 0118, 0119, 0121, 0122, 0124, 0128.
676B	393760	Deflector-Muffler Used on Type No(s). 0114, 0115, 0118, 0121, 0122.	836	690367	Screw (Muffler Guard) Used on Type No(s). 0114, 0119.	975	493640	Bowl-Float
676C	393756	Deflector-Muffler Used on Type No(s). 0124, 0128.	842	★691870	Seal-O Ring (Dipstick Tube)	977	695156	Gasket Set-Carburetor Label-Emissions (Available From A Briggs & Stratton Authorized Dealer)
677	690661	Screw (Muffler Deflector)	847	690848	Dipstick/Tube Assembly	1036		
689	691855	Spring-Friction (Rewind Starter)	851	493880S	Terminal-Spark Plug	1058	277098	Operator's Manual
692	690572	Spring-Detent	864	791316	Adapter-Muffler	1095	498525	Gasket Set-Valve
718	690959	Pin-Locating (Cylinder)	868	697338	Seal-Valve	1194	691876	Seal-O Ring (Plug)
718A	499047	Pin-Locating (Crankshaft)	869	691701	Seat-Valve (Intake)	1210	499901	Pulley/Spring Assembly (Pulley)
			870	691702	Seat-Valve (Exhaust)	1211	499901	Pulley/Spring Assembly (Spring)
			871	262001	Bushing-Valve Guide (Exhaust) ----- Note ----- 63709 Bushing-Valve Guide (Intake)	1319	794467	Label-Warning
						1330	270962	Repair Manual
						1395	692523	Screw (Air Cleaner Base to Carburetor)

★ Engine Gasket Set-Reference 358
● Carburetor Overhaul Kit-Reference 121

◆ Carburetor Gasket Set-Reference 977
△ Valve Gasket Set-Reference 1095

Illustrations cover a range of engines. Parts shown without corresponding text may not be used on your specific engine.
3276-11 Assemblies include all parts shown in frames. 03/04/2008